

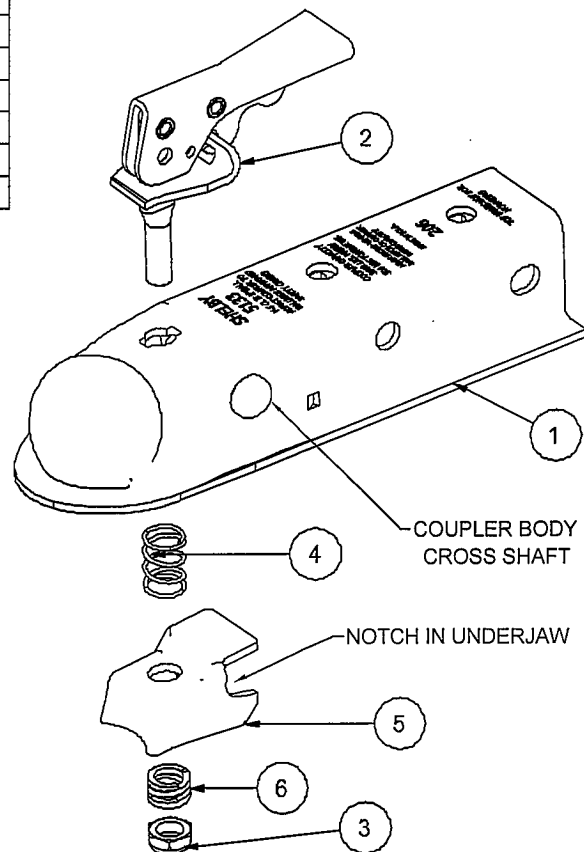
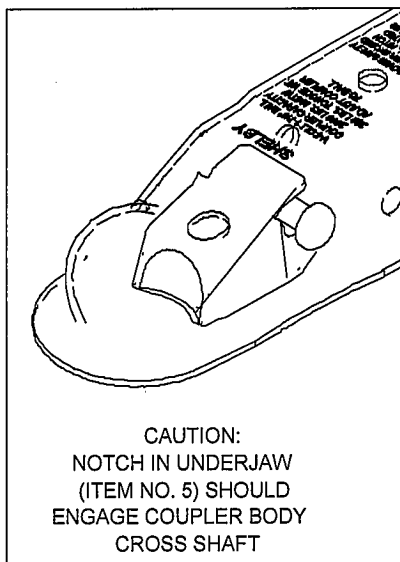


# Class II Posi-lock Coupler Installation Instructions

**FOR USE ON TRAILERS WITH 2", 2-1/2", 3" TONGUES  
2" BALL-MAX. GVWR 3,500 LBS.  
MAX TONGUE WT. 500 LBS.**

**IMPORTANT – READ INSTRUCTIONS CAREFULLY BEFORE INSTALLATION OR OPERATION. FAILURE TO FOLLOW THESE WARNINGS AND INSTALLATION INSTRUCTIONS WILL RESULT IN SEPARATION OF TOW VEHICLE AND TRAILER, WHICH CAN RESULT IN DEATH, PERSONAL INJURY AND PROPERTY DAMAGE.**

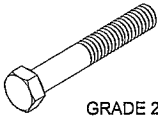
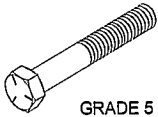
Parts List			
ITEM	QTY	PART NUMBER	DESCRIPTION
1	1	Coupler Body	Class II Coupler Body
2	1	0354-11	Handle ASM
3	1	0952-09	1/2 Locknut
4	1	0940-00	Release Spring
5	1	0986-03	Underjaw
6	1	0941-09	Tension Spring



**NOTE:** Communications regarding this product should refer to part number on this sheet and date code stamped on carton.

1. MOUNT COUPLER SECURELY TO TRAILER TONGUE BY BOLTING OR WELDING. NOTE: TOP HOLES IN COUPLER DO NOT PROVIDE A SAFE OR SECURE ATTACHMENT. USE SIDE HOLES WHEN BOLTING COUPLER TO TRAILER TONGUE.
2. USE ONLY THE CORRECT SIZE BALL AS INDICATED BY THE STAMP ON COUPLER. DO NOT EXCEED WEIGHT CAPACITY OF BALL OR LOAD LIMITATIONS STAMPED ON COUPLER.
3. ADJUST COUPLER LOCKING PRESSURE ON BALL BEFORE USE. PLACE HANDLE IN LOCKED POSITION WITH BALL IN COUPLER. TIGHTEN LOCKNUT AGAINST TENSION SPRING SO THAT COUPLER IS NOT LOOSE ON BALL. CORRECT ADJUSTMENT WILL ALLOW HANDLE TO BE RELEASED WITH MODERATE PRESSURE APPLIED TO RELEASE LATCH.
4. AFTER TOWING 50 MILES, CHECK COUPLER FOR TIGHTNESS ON BALL. ALWAYS CHECK TIGHTNESS BEFORE TOWING. BE SURE LATCH HANDLE IS IN LOCKED POSITION.
5. ALWAYS USE APPROVED SAFETY CHAINS AND HAVE THEM ATTACHED SECURELY
6. THE COUPLER IS SUSEPTABLE TO PHYSICAL DAMAGE WHEN TRAILER IS UNHOOKED. PROP TRAILER TONGUE UP BETWEEN USES. CAREFULLY INSPECT COUPLER FOR DAMAGE AND PROPER ADJUSTMENT BEFORE EACH HOOKUP.
7. **CAUTION:** DO NOT MODIFY COUPLER BY DRILLING OR CUTTING.
8. **CAUTION:** ALWAYS NOTE PROPER INSTALLATION OF UNDERJAW, NOTCH IN UNDERJAW SHOULD ENGAGE COUPLER BODY CROSS SHAFT AT ALL TIMES, FAILURE TO DO SO COULD RESULT IN COUPLER FAILURE.

INSTALLATION NOTE: Check attachment points for electrical wires or hoses before drilling holes.

BOLT TORQUE REQUIREMENTS					 GRADE 2	 GRADE 5	METRIC BOLT TORQUE REQUIREMENTS	
Size	Grade	Torque	Grade	Torque			GRADE IDENTIFICATION ON BOLT HEADS	
1/4	2	66 in.lbs.	5	96 in.lbs.	<b>5.8 TO 6.9 GRADE 2</b> <b>8.8 TO 8G GRADE 5</b> <b>TORQUE REQUIREMENTS</b> GRADE 2    8 mm 18 lb. ft. 10 mm 24 lb. ft. GRADE 5    8 mm 32 lb. ft. 10 mm 38 lb. ft.			
5/16	2	11 ft.lbs.	5	21 ft.lbs.				
3/8	2	20 ft.lbs.	5	30 ft.lbs.				
7/16	2	40 ft.lbs.	5	55 ft.lbs.				
1/2	2	65 ft.lbs.	5	75 ft.lbs.				
5/8	2	100 ft.lbs.	5	160 ft.lbs.				
3/4	2	160 ft.lbs.	5	260 ft.lbs.				

### LIMITED WARRANTY

Shelby Industries, LLC warrants its products to be free from defects in material and workmanship to the original purchaser, and to any person to whom the product is transferred, for a period of TWO YEARS. The Two-Year Limited Warranty period shall commence with the date the product is sold to the original purchaser. If any of these products are found to be defective, they may be replaced or repaired at the option of Shelby, when returned with proof of purchase to Shelby's manufacturing facility in Shelbyville, KY. The owner shall pay all transportation and shipping charges associated with the return of said product and the returned product shall become the property of Shelby.

In no instance shall Shelby be responsible to repair or replace a product under this limited warranty where said product was improperly installed, altered or misused, including using the product contrary to Shelby's printed instructions stamped on the product itself. The foregoing states the sole and exclusive remedy for any breach of warranty or for any other claim based on any defect in or nonperformance of the products, whether sounding in contract, warranty or negligence or strict liability. Shelby makes no other warranties express or implied, hereby encloses any implied warranties of functionality or fitness.

Without limited the generality of the foregoing, Shelby shall under no circumstances be liable for any incidental or consequential loss of damage whatever arising out of or in any way relating to, any such breach of warranty of claimed defect in, or nonperformance of the product.

This limited warranty is designed to fully comply with the terms and provisions of the Magnuson-Moss Warranty Act. Some states may not allow the limitation or exclusion of incidental or consequential damages to the above limitations of exclusions may not apply to you. For information or assistance regarding this product contact your dealer or write to:

Customer Service Manager, Shelby Industries, LLC 175 Mc Daniel Rd., Shelbyville, KY 40065 Phone: 502-633-2040

NOTE: THIS PRODUCT COMPLIES WITH REGULATION V-5 AND CSA STANDARD D-264

NOTE: SOME STATES REQUIRE CLEAR VIEW OF LICENSE, REMOVE HITCH BALL WHEN NOT IN USE IF IT RESTRICTS VIEW.

NOTE: THIS PRODUCT COMPLIES WITH SAFETY SPECIFICATIONS AND REQUIREMENTS FOR CONNECTING DEVICES AND TOWING SYSTEMS OF THE STATE OF NEW YORK.